



DE VALK
YACHT BROKERS



DRAGONFLY DF 28 TOURING



DE VALK
YACHT BROKERS

DRAGONFLY DF 28 TOURING

BROKER'S COMMENTS

When you want sailing speeds that other sailors can only dream about, the Dragonfly 28 Touring delivers with a grin. This beautifully maintained trimaran has had just one careful owner and has been exceptionally well looked after from day one. Always moored in fresh water, she presents in outstanding condition, reflecting the pride of ownership throughout. Fast, stable, easy to handle, and ready for her next adventure, she offers exhilarating performance without sacrificing comfort. Now ready to be admired and inspected, 7 days a week in our sales harbor in Hindeloopen.

Stein Dubbeldam

SPECIFICATIONS

Dimensions	8.70 x 2.54 x 1,70 / 0.40 (m)	Builder	QUORNING BOATS APS
Built	2016	Cabins	1
Material	GRP	Berths	4
Engine(s)	1 x Honda 15 petrol	Hp/Kw	15.00 (hp), 11.04 (kw)
Asking price	€ 139.000 (VAT Paid)	Lying	at sales office

CONTACT

Sales office	De Valk Hindeloopen B.V.	Telephone	+31 514 52 40 00
Address	Oosterstrand 1 8713 JS Hindeloopen NL	E-mail	hindeloopen@devalk.nl

DISCLAIMER

These particulars are given in good faith as supplied but cannot be guaranteed.



DRAGONFLY DF 28 TOURING

GENERAL

Model	DRAGONFLY DF 28 TOURING
Type	catamaran sailing yacht
LOA (m)	8,70
LWL (m)	8,70
Beam (m)	2,54
Draft (m)	0,40
Draft min (m)	1,70
Air draft (m)	13,75
Headroom (m)	1,80
Year built	2016
Builder	QUORNING BOATS APS
Country	Denmark
Designer	Steen Olsen & Jens Quorning
Displacement (t)	1,95
CE norm	B
Hull material	GRP
Hull colour	white
Superstructure material	GRP
Rubbing strake	plastic
Deck material	GRP
Deck finish	non-skid moulded in
Superstructure deck finish	non-skid moulded in
Cockpit deck finish	non-skid moulded in
Window frame	aluminium
Window material	polycarbonate
Deckhatch	2x
Fuel tank (litre)	polyethylene 12 ltr.
Freshwater tank (litre)	polyethylene 90 ltr.
Outside helm position	yes
Tiller	yes



DRAGONFLY DF 28 TOURING

ACCOMMODATION

Cabins	1
Berths	4
Interior	ash
Floor	carpet
Open cockpit	yes
Headroom saloon (m)	1,80 mtr.
Heating	calorgas ducted hot air
Convertible berth	yes
Galley	yes
Sink	stainless steel
Cooker	calor gas 2 burner
Fridge	yes
Water pressure system	electrical
Owners cabin	v-bed
Bed length (m)	2,00 mtr.
Toilet system	chemical
Wash basin	at the toilet

MACHINERY

No of engines	1
Make	Honda
Type	15
HP	15
kW	11.04
Fuel	petrol
Year installed	2016
Cruising speed (kn)	5
Consumption (l/hr)	2,5
Engine cooling system	seawater
Drive	outboard



DRAGONFLY DF 28 TOURING

Engine controls	bowden cable
Gearbox	mechanical
Propeller type	fixed
Manual bilge pump	yes
Electric bilge pump	yes
Batteries	2x Exide Excell 12 V 110 Ah
Battery charger	??
Shorepower	with cable

NAVIGATION

Compass	Plastimo
Multi control display	Raymarine I60
VHF	Raymarine
VHF handheld	Icom IC-M25
Autopilot	Raymarine p60
Plotter/GPS	Raymarine
AIS receiver	yes
Navigation lights	yes

EQUIPMENT

Sprayhood	2025
Boarding ladder	stainless steel
Anchor	CQR Plough
Pushpit	yes
Pulpit	yes
Radar reflector	yes
Mooring lines	yes
Fire extinguisher	yes

RIGGING



DRAGONFLY DF 28 TOURING

Rigging	fractional with backstays
Standing rigging	wire
Brand mast	Seldén
Material mast	aluminium
Spreaders	Double
Mainsail	2024 Elvstrøm
Mainsail cover	New 2026
Fully battened mainsail	yes
Genoa	2022 Elvstrøm
Genoa furler	yes
Gennaker	Elvstrøm
Reefing System	slabreefing
Multifunctional winches	2x Anderson 28 ST 2 speed 2x Anderson 40 2 speed



DRAGONFLY DF 28 TOURING



DRAGONFLY DF 28 TOURING



DRAGONFLY DF 28 TOURING



DRAGONFLY DF 28 TOURING



DRAGONFLY DF 28 TOURING



DRAGONFLY DF 28 TOURING



DRAGONFLY DF 28 TOURING



DRAGONFLY DF 28 TOURING



DRAGONFLY DF 28 TOURING



DRAGONFLY DF 28 TOURING



DRAGONFLY DF 28 TOURING



DRAGONFLY DF 28 TOURING



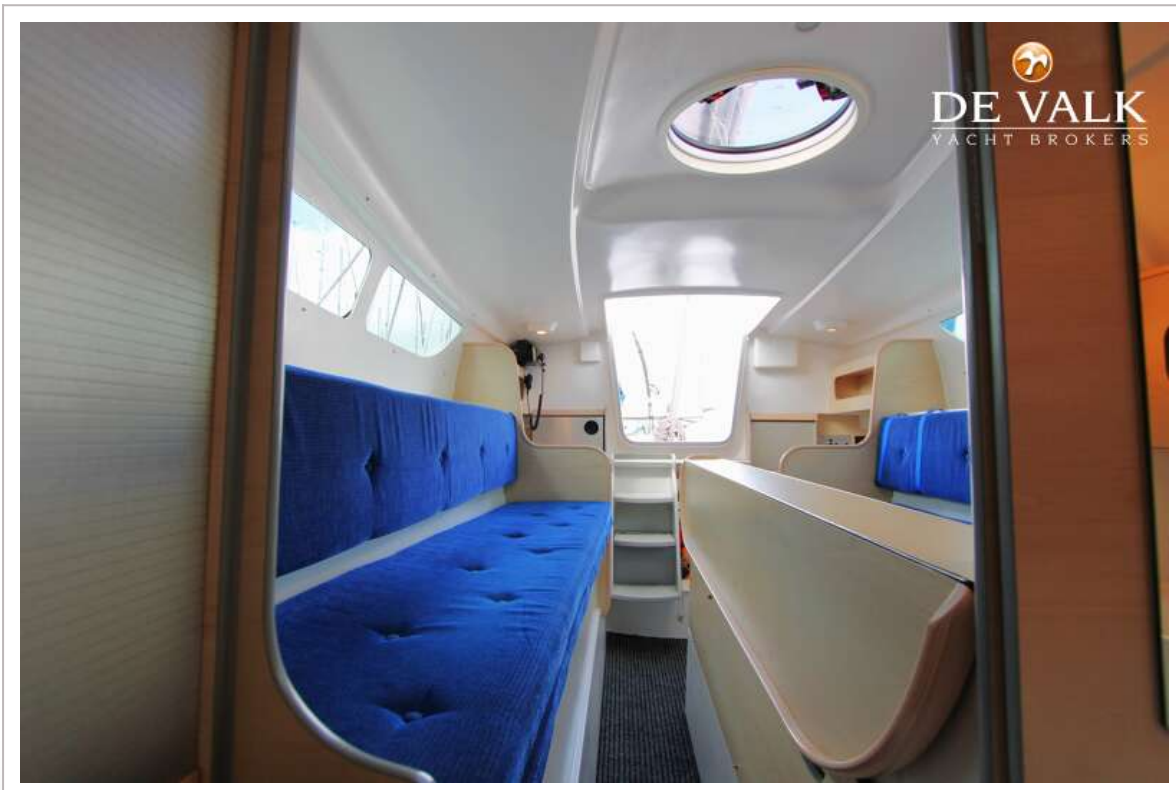
DRAGONFLY DF 28 TOURING



DRAGONFLY DF 28 TOURING



DRAGONFLY DF 28 TOURING



DRAGONFLY DF 28 TOURING



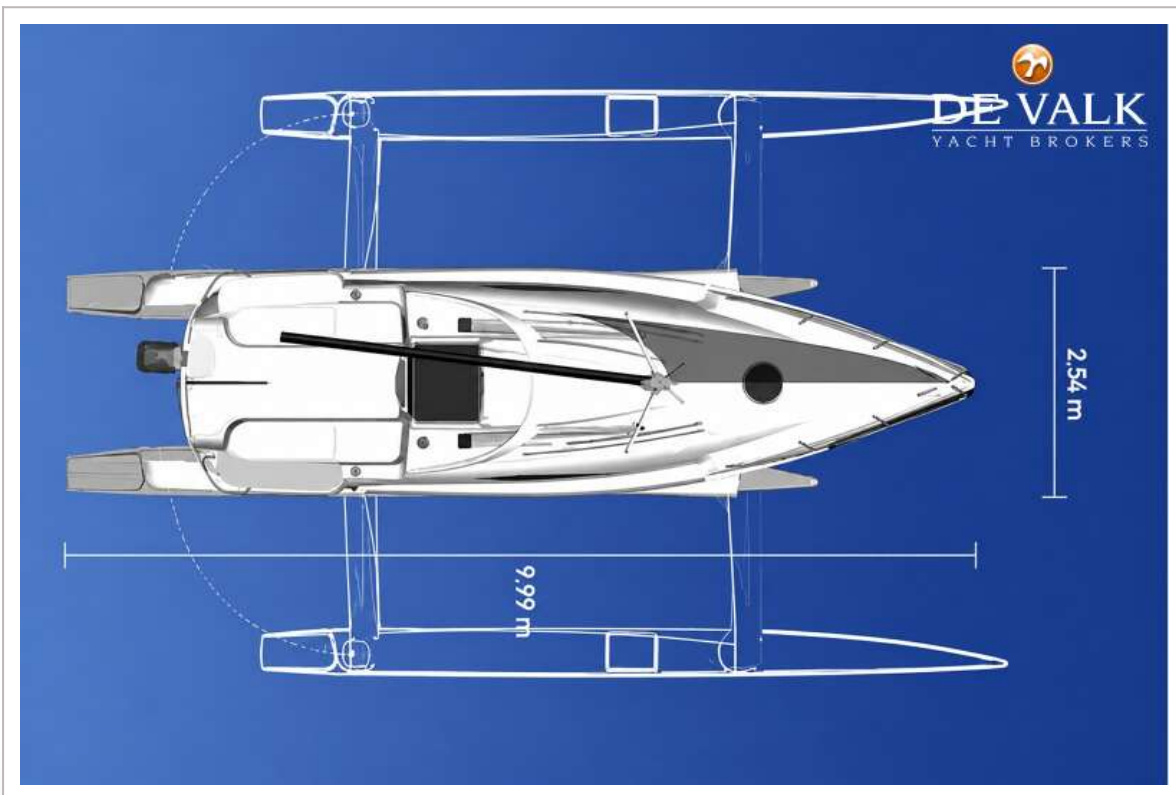
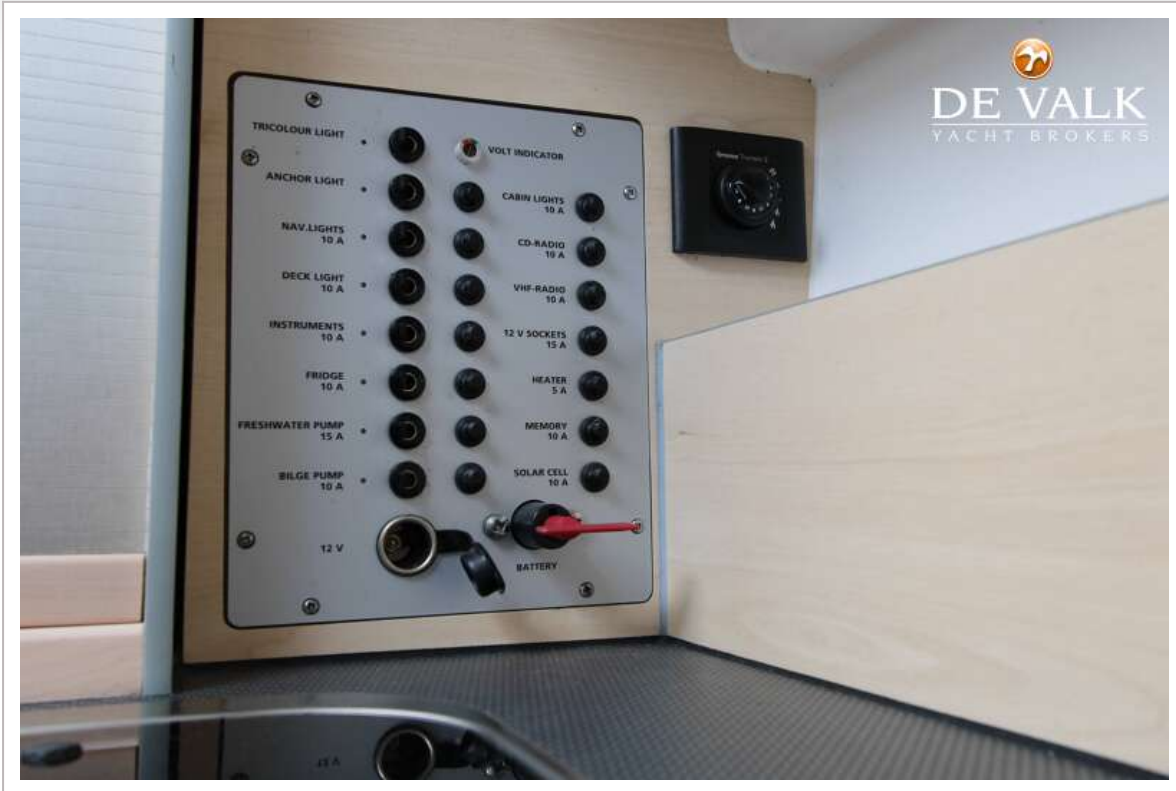
DRAGONFLY DF 28 TOURING



DRAGONFLY DF 28 TOURING



DRAGONFLY DF 28 TOURING



DRAGONFLY DF 28 TOURING

